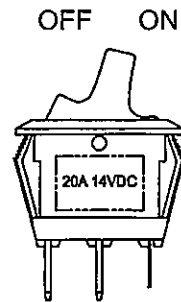
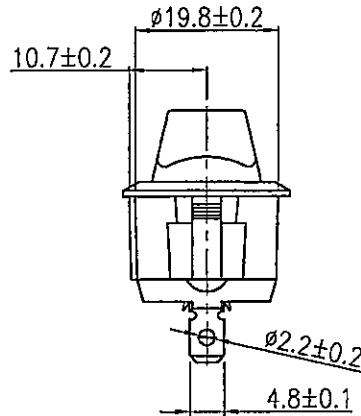
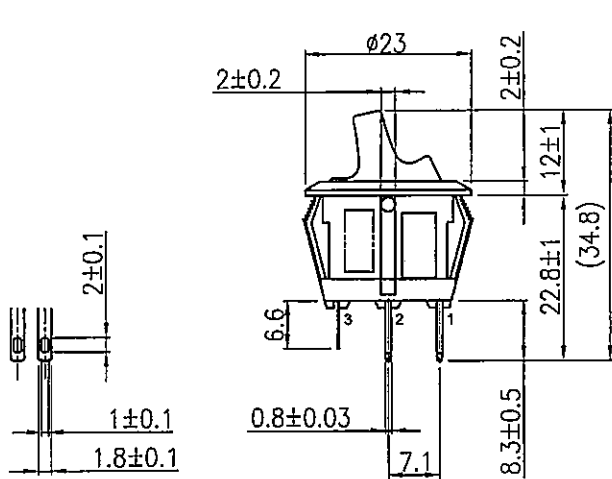
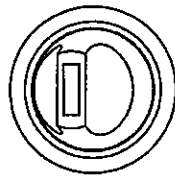
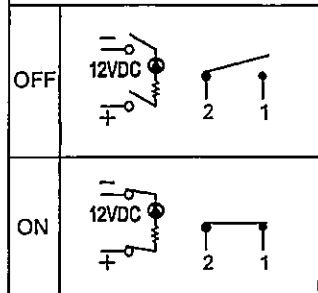


Rating	20A 14V DC	Mounting Hole	
Contact Resistance	50m ohm Max.		
Insulation Resistance	DC 500V 100M ohm Min.		
Dielectric Strength	AC 1500V 1 minute		
Operation Temperature	-20°C~85°C		
Switch Function	4P SPST ON-OFF (LED Independent)		

Material:
 Frame: Nylon#66, Black
 Actuator: Nylon#66, Black
 Terminals: Copper Alloy
 LED Color: Green

Circuit Diagram



Tolerances Unless Otherwise Specified ±0.3

Date		Name		Description			No.
11/24/14				SCI BOM No.	1810719	Model Name	ROCKER SWITCH
曹盈芳				Customer No.		Model No.	R13-112LP-02
				Unit	mm		Rev.
Shin Chin Industrial Co., Ltd.							0